



Model: See Affected Top Drives  
Serial #: N/A

Mar. 28, 2023

Product Bulletin # TDS-241 Rev 1

## Alert



# Top Drive Electrical Service Loop Clamp Securement

## Issue

The top drive electrical service loop hose clamp may fall if it is damaged or loose. See Figure 1.



Figure 1: Electrical service loop clamp

## Affected Top Drives

All Canrig Top Drives with electrical service loops that use double bolt clamps. Including but not limited to, the following clamps with Canrig part numbers:

- F05-1004-010
- F05-1012-010
- F05-1014-010
- F05-1016-010



Model: See Affected Top Drives	Mar. 28, 2023
Serial #: N/A	
<b>Alert</b>	

## Recommendation

- Visually inspect the service loop hose clamps. Check for any damage or signs that they are broken.
- Verify they are not loose and are secured properly.
- Add safety securement to the hose clamps as shown in Figure 3 on page 3

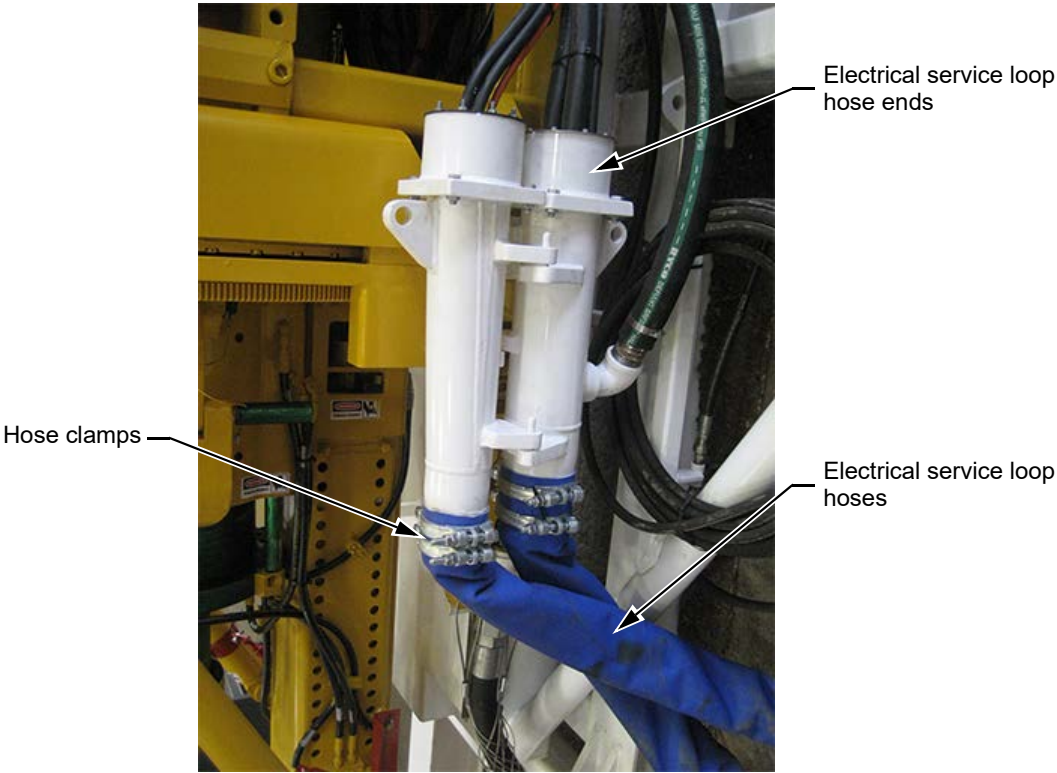


Figure 2: Electrical service loop

## Installing Safety Securement for Double Bolt Clamps

### Parts Required for Double Bolt Clamps Securement

Qty	Canrig P/N	Description
12 FT	M10022	WIRE ROPE, 1/8, 7X19, STAINLESS
24	M19-3009-010	FERRULE, 1/8, OVAL, ALUMINUM





Model: See Affected Top Drives	Mar. 28, 2023
Serial #: N/A	
<b>Alert</b>	

## Procedure

### For Dual Electrical Service Loop

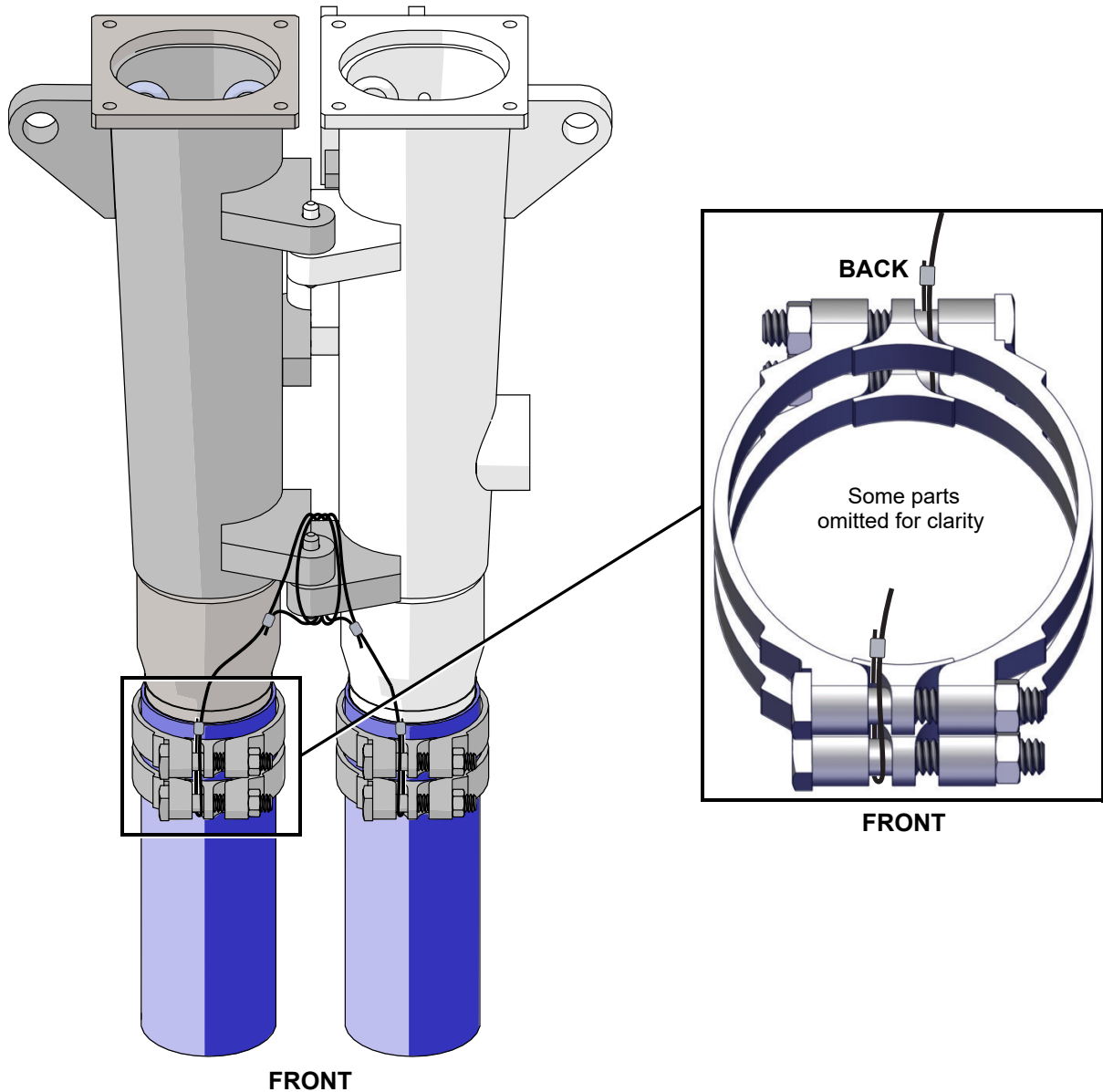


Figure 3: Double bolt clamps safety securement – Dual electrical service loop



Model: See Affected Top Drives	Mar. 28, 2023
Serial #: N/A	
<b>Alert</b>	

### For Single Electrical Service Loop

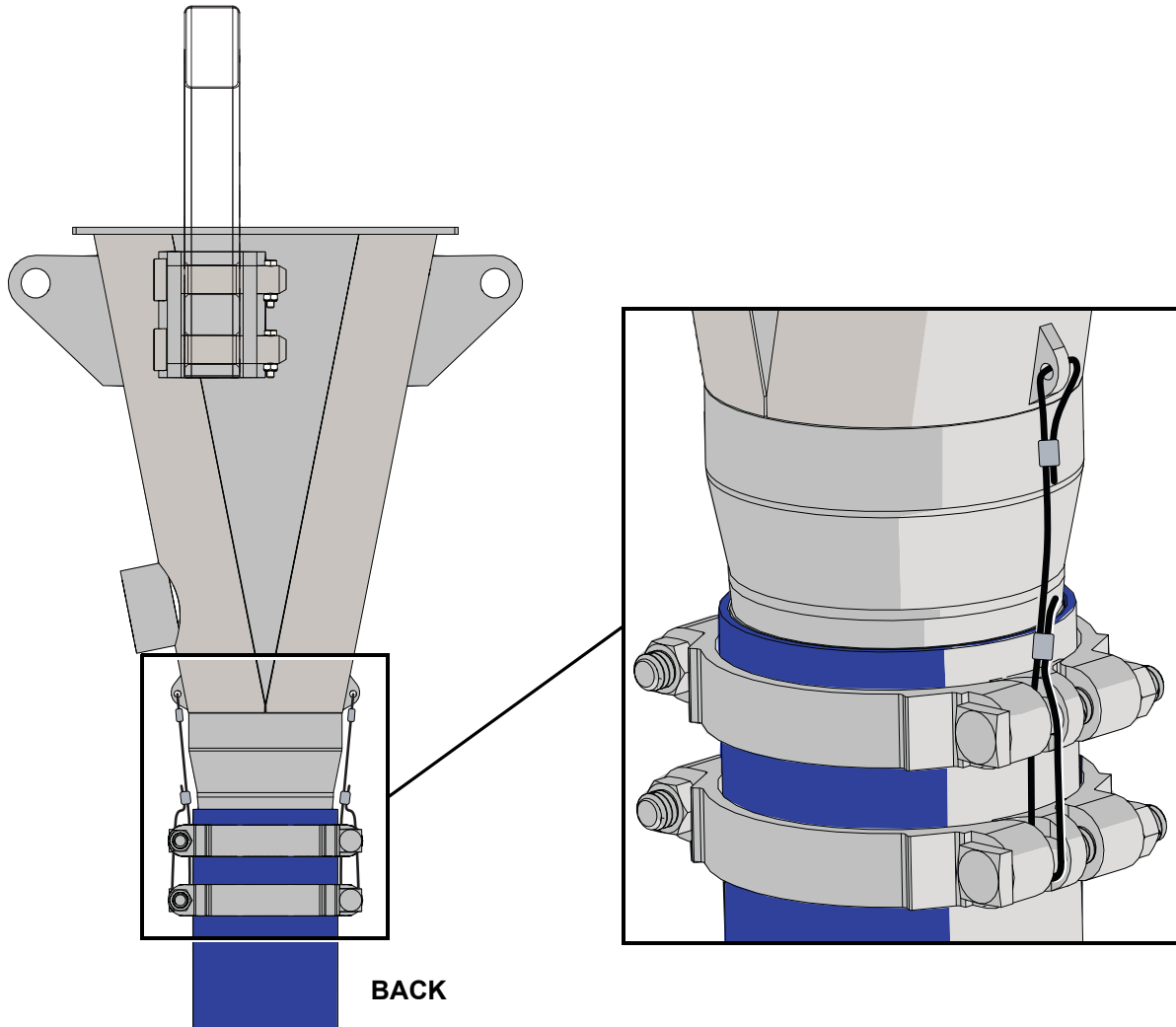


Figure 4: Double bolt clamps safety securement – Single electrical service loop



Model: See Affected Top Drives	Mar. 28, 2023
Serial #: N/A	
<b>Alert</b>	

## Installing Safety Securement for Pins

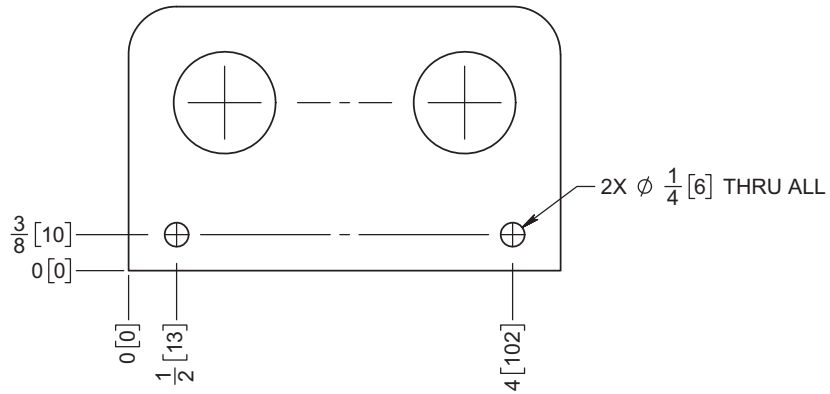
**NOTICE** Safety securement for the pins is the same for both **single** and **dual** electrical service loops.

### Parts Required for Safety Securement for Pins

Qty	Canrig P/N	Description
6 FT	M10022	WIRE ROPE, 1/8, 7X19, STAINLESS
12	M19-3009-010	FERRULE, 1/8, OVAL, ALUMINUM

### Drill Holes on Service Loop Bracket

1. Drill two holes on the service loop bracket as shown in Figure 5.



ITEM (7)

Figure 5: Service loop bracket holes location



Model: See Affected Top Drives	Mar. 28, 2023
Serial #: N/A	
<b>Alert</b>	

## Install Safety Securement for Pins

1. Install safety securement for pins as shown in Figure 6.

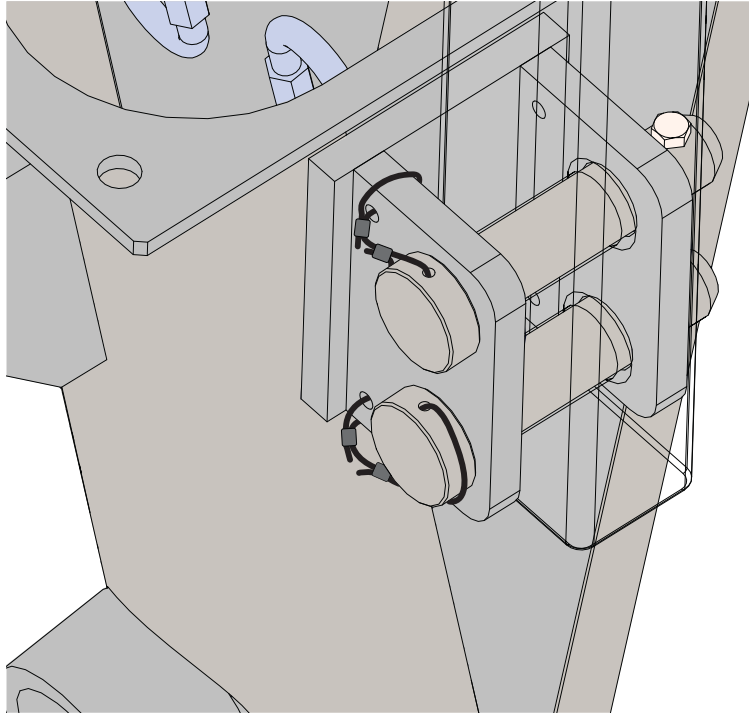


Figure 6: Safety securement for pins