



Always Replace Damaged High Pressure Components with New Parts

Servicing high pressure components on site should only be performed by a Canrig technician, or an otherwise properly qualified technician. **Proper tools, knowledge, and safety equipment are required.** Follow proper procedures, such as ensuring that the system is shut down and system pressure is released and locked out/tagged out prior to working on any part of the hydraulic system. Do not apply excessive torque. Over-torquing hydraulic fittings can result in thread damage and component failure.

Hydraulic components are subject to high operating pressures ranging from 5,000–6,000 psi. **Damaged or worn parts should be replaced with new certified parts from Canrig,** and should never be replaced using substitute parts, or parts “fixed” using improper field-repair techniques. Ensure that all components, seals, and threads are in good condition and follow manufacturer’s safety guidelines. Repairs made using substandard parts may cause hazardous conditions to personnel and damage to equipment.

Refer to your product manual for a list of recommended spares. Contact RigLine 24/7™ Support to order new parts, or to schedule a repair.

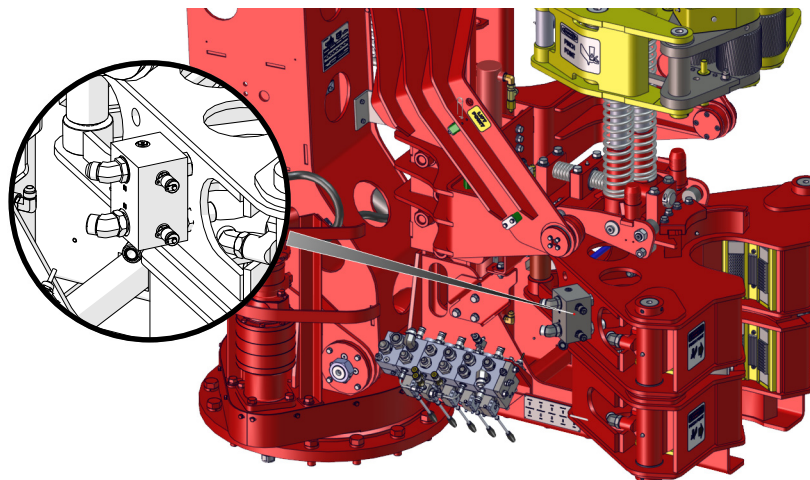


Figure 1: Upper Tong Check Valve Block